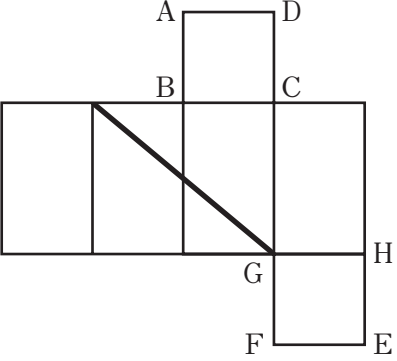


1	(1)	3.5 km
	(2)	0.75 (times)
2	(3)	1.8 hours
	(4)	3
3	(5)	15 cm ²
	(6)	14 cm ²
4	(7)	5 (m per second)
	(8)	6.25
	(9)	0.15
5	(10)	$\frac{1}{3}$

Please fill in the box below.

Put your sticker for Section 2 with the bar code here.	Name		Examinee Number
	Gender (Check the appropriate box)		Age
	Male <input type="checkbox"/>	Female <input type="checkbox"/>	
	Date of Birth (year)	(month)	(day)
Address			
			/ 20

5	(11)	6 cm
6	(12)	$-\frac{10}{3}$
	(13)	$2 - \left(-\frac{10}{3}\right) = 2 + \frac{10}{3}$ $= \frac{16}{3}$
	(Answer)	$\frac{16}{3}$
7	(14)	78 cm ²
	(15)	15 cm ³
	(16)	
8	(17)	2315 m
	(18)	1.5 (times)
9	(19)	11 (blocks)
	(20)	14 (blocks)